

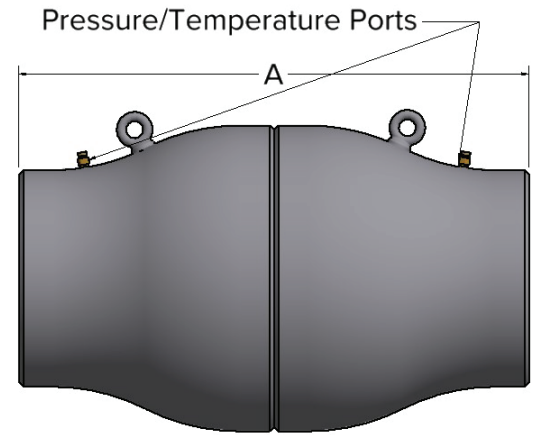


Model: Mesurflo® 2546

Sizes: 6", 8" and 10"

GPM: 250 - 2,500

Type: Welded Automatic Balancing Valve



Standard Features:

- Welded Connections
- 25.0 GPM Increments
- Differential Operating Pressure 5 - 80 PSID
- ± 10% Accuracy
- Operating Temperature Range 32°F to 225°F
- 1/4" Pressure/Temperature Ports
- Valves Labeled with Model Number, Size and Flow Rate
- Valve Body Suitable for 400 PSIG
- Length Changes as Flow rates are Increased
- Hooks Attached for Ease of Handling for Installation Placement

Options:

- Stainless Steel Tag-Chain Upon Request

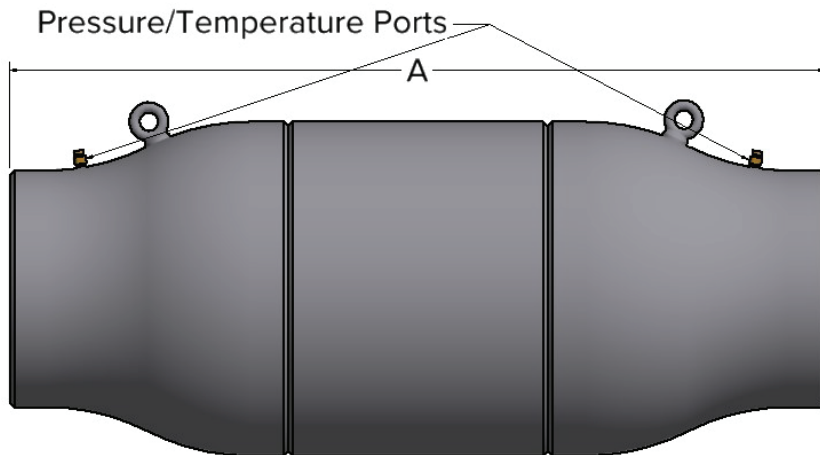
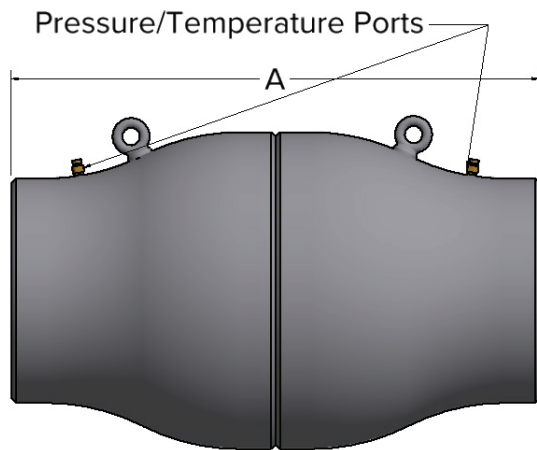
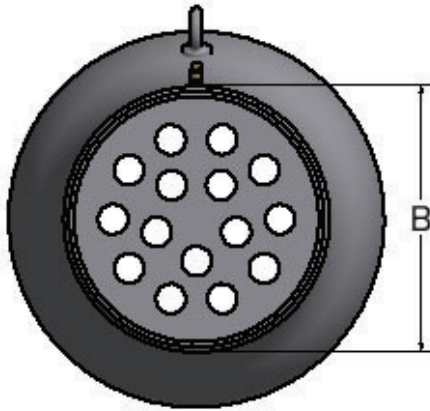
| Material Specifications | |
|-------------------------------------|-------------------|
| Valve Body | Carbon Steel |
| Weld | Carbon Steel |
| Ext. Pressure/ Temperature Ports | Brass |
| Adapter Plate | Carbon Steel |
| Retainer Cage | Stainless Steel |
| Diaphragm | EPDM |
| Orifice | Polyphenylsulfone |
| Orifice Holder | Brass |
| Clip | Stainless Steel |



Model: Mesurflo® 2546

Sizes: 6", 8" and 10"

Type: Welded Automatic Balancing Valve



| DIMENSIONS VARY WITH GPM SELECTION | | |
|---|--------------------------|-------------------|
| Connection Size (in.) / Flange Size (in.) | Valve Length (in.) Appx. | GPM |
| 6/11 | 14.0 | 250.0 - 625.0 |
| | 18.0 | 650.0 - 875.0 |
| | 20.0 | 900.0 |
| 8/13 | 18.0 | 600.0 - 800.0 |
| | 20.0 | 825.0 - 1,100.0 |
| | 24.0 | 1,125.0 - 1,400.0 |
| 10/16 | 24.0 | 1,425.0 - 1,600.0 |
| | 28.0 | 1,000.0 - 1,875.0 |
| | 32.0 | 1,900.0 - 2,250.0 |
| | 34.0 | 2,275.0 - 2,500.0 |