



Name: Mesurflo

Sizes: 1/2", 3/4"

GPM: 0.25, 0.50, 1.00, 1.50, 2.00, 2.50
Consult Factory for Additional Flow Rates Up to 9 GPM

Type: Y-Body Automatic Balancing Valve

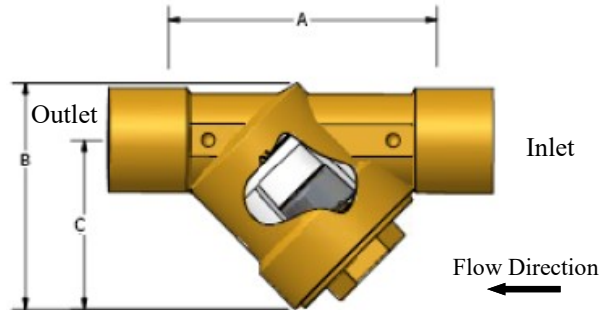
Model: 2517 LF

Standard Features:

- FSWT Outlet / Inlet Connections
- Changeable GPM Flow Cartridges
- Differential Operating Pressure:
2-80 PSID 0.50-5.00 GPM
3-80 PSID 5.50-9.00 GPM
 ± 10% Accuracy
- Operating Temperature Range 32°F to 225°F
- Valves Labeled with Model No., Size & Flow Rate
- Valve Body Suitable for 600 PSIG



Certified to
 NSF/ANSI/CAN 61
 & NSF/ANSI 372



MATERIAL SPECIFICATIONS	
Valve Body	Brass
End Cap	Brass
O-Rings	EPDM
Diaphragm	EPDM
Orifice	Polyphenylsulfone

Dimensions				
Size	1/2"		3/4"	
	IN	MM	IN	MM
A	2.04	52	2.36	60
B	2.12	54	2.11	54
C	1.58	40	1.58	40