

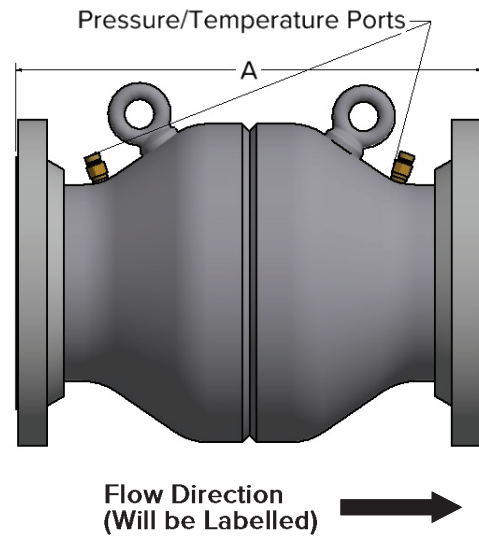


Model: Mesurflo® 2547

Sizes: 6", 8" and 10"

GPM: 200.0 - 2,500.0

Type: Flanged Automatic Balancing Valve



Standard Features:

- Flanged Connections
- 25.0 GPM Increments
- Differential Operating Pressure 5 - 80 PSID
- ± 10% Accuracy
- Operating Temperature Range 32°F to 225°F
- 1/4" Pressure/Temperature Ports
- Valves Labeled with Model Number, Size and Flow Rate
- Valves Labeled with Model Number, Size and Flow Rate
- ASME Class 150 Flanges
- Working Pressure Rating per ASME Class 150 (Valve Body Suitable for 200 PSIG)
- Length Changes as Flow Rates are Increased
- Hooks Attached for Ease of Handling for Installation Placement

Material Specifications	
Valve Body	Carbon Steel
Flange	Carbon Steel
External Pressure/ Temperature Ports	Brass
Adapter Plate	Carbon Steel
Retainer Cage	Stainless Steel
Diaphragm	EPDM
Orifice	Polyphenylsulfone
Orifice Holder	Brass
Clip	Stainless Steel

Options:

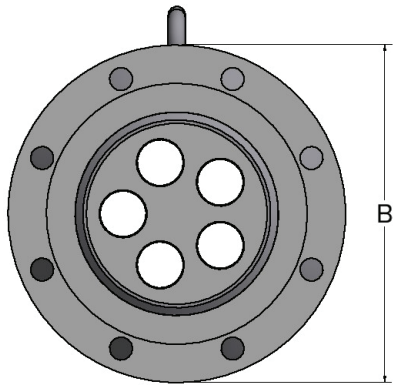
- Stainless Steel Tag-Chain Upon Request



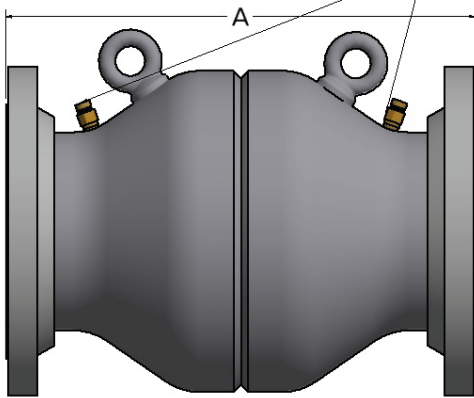
Model: Mesurflo® 2547

Sizes: 6", 8" and 10"

Type: Flanged Automatic Balancing Valve



Pressure/Temperature Ports



DIMENSIONS VARY WITH GPM SELECTION		
Connection Size (in.) / Flange Size B (in.)	Dimension A Approx. (in.)	GPM
6/11	16.0	250.0 - 625.0
	20.0	650.0 - 875.0
	22.0	900.0
8/14	20.0	600.0 - 800.0
	22.0	825.0 - 1,100.0
	26.0	1125.0 - 1,400.0
10/16	26.0	1425.0 - 1,600.0
	30.0	1000.0 - 1,875.0
	35.0	1900.0 - 2,250.0
	37.0	2275.0 - 2,500.0

Pressure/Temperature Ports

