



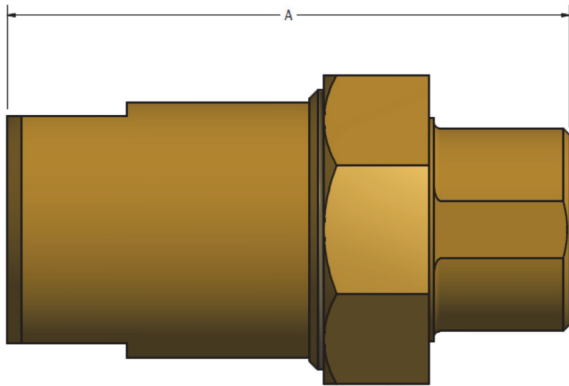
**Name: Mesurflo® Bronze Automatic Balancing Valves**

**Sizes: 1/2", 3/4"**

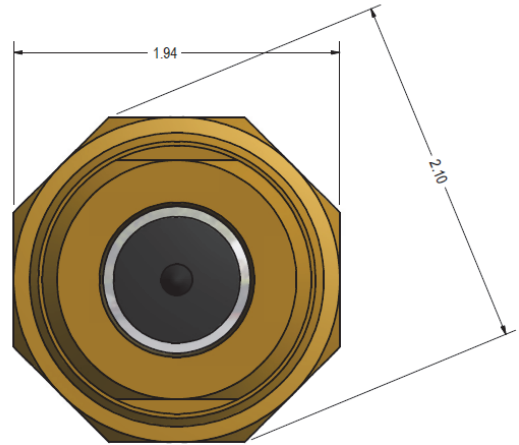
**GPM: 0.50 - 9.00**

**Type: Automatic Balancing Valve**

**Model: 2313**



➔ Flow Direction



**Standard Features Include:**

- ⇒ FNPT Inlet & Outlet Connections
- ⇒ Changeable GPM Flow Cartridges
- ⇒ Differential Operating Pressure:
  - 0.50 - 5.00 GPM (3-80 PSID)
  - 5.50 - 9.00 GPM (4-80 PSID)
- ⇒ ± 10% Accuracy
- ⇒ Operating Temperature Range 32° to 225°F
- ⇒ Dryseal Pipe Threads
- ⇒ Valves Labeled with Model No., Size & Flow Rate
- ⇒ Valve Body Rated for 600 PSIG
- ⇒ Limited Lifetime Warranty

**Available Flow Rates:**

- ⇒ 0.50, 1.00, 1.50, 2.00, 2.50, 3.00, 3.50, 4.00, 4.50, 5.00, 5.50, 6.00, 6.50, 7.00, 7.50, 8.00, 9.00

| Size | Dim A | Connection  |
|------|-------|-------------|
| 1/2" | 3.4   | FNPT x FNPT |
| 3/4" | 3.5   | FNPT x FNPT |

**Options:**

- ⇒ Stainless Steel Tag-Chain

**Material Specifications:**

- ⇒ Valve Body - Bronze UNS C83600
- ⇒ Union Nut - Bronze UNS C37700
- ⇒ Tailpiece - Bronze UNS C83600
- ⇒ O-Rings - EPDM
- ⇒ Diaphragm - EPDM
- ⇒ Orifice - Polyphenylsulfone
- ⇒ Retainer 316SS