



Sizes: 1/2", 3/4", 1", 1-1/4", 1-1/2" & 2"

Type: Hays Mesurmeter™ Manual Balancing Valve

GPM Flow Range: 1/2"- 0.20-12.1 (0.50-5.00 PSID)

3/4"- .4-15.0 (0.50-5.0 PSID)

1"- 1.6-44.7 (0.50-5.0 PSID)

1-1/4"- 3.9-53.7 (0.50-5.0 PSID)

1-1/2"- 9.9-98.4 (0.50-5.0 PSID)

2" 9.2-125.2 (0.50-5.0 PSID)

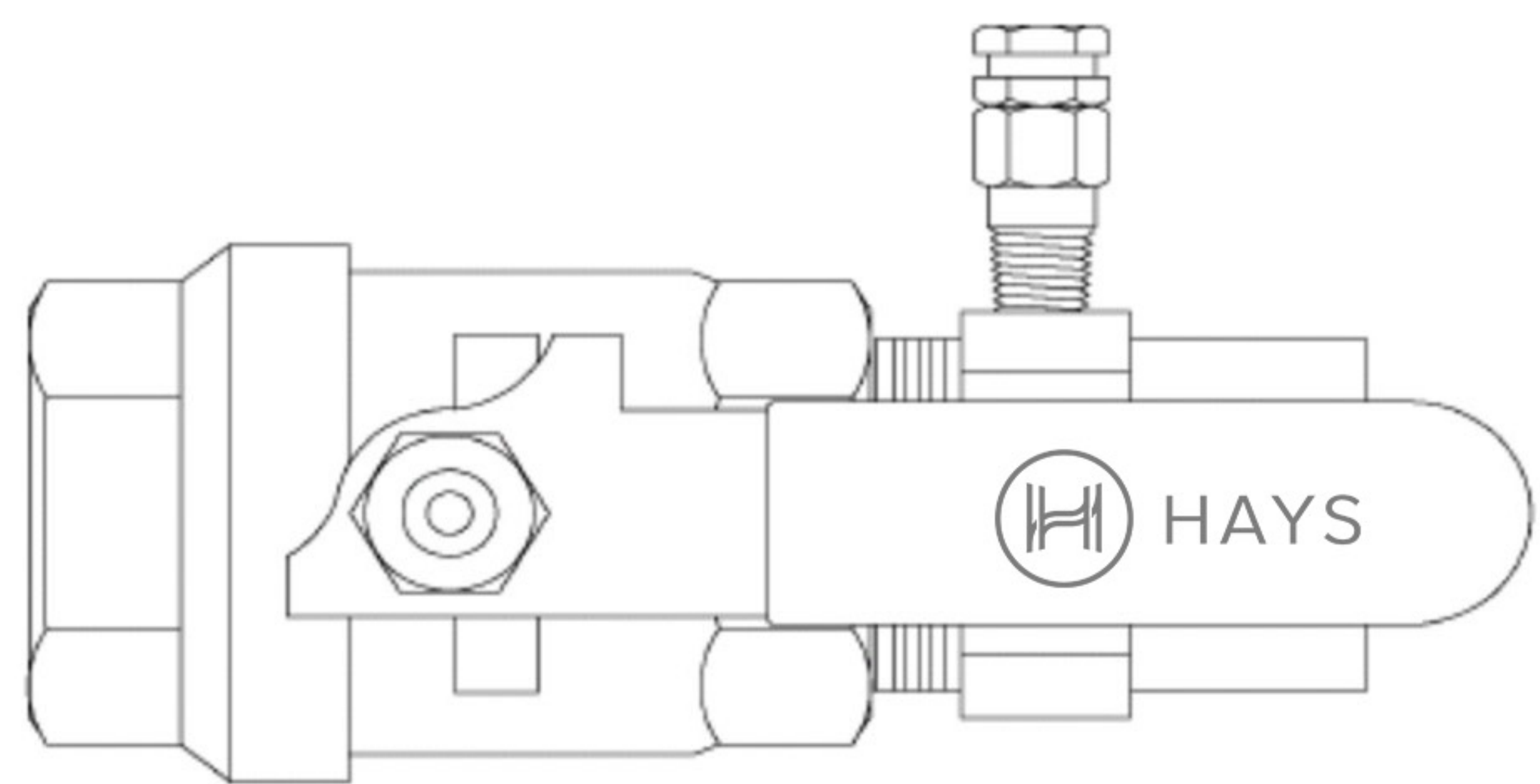
Specifications:

- Mesurmeter™ with Pressure/Temperature Ports for Flow Verification
- Inlet: FNPT
- Outlet: FNPT
- **Preset Non-Removable Venturi Inserts**
- Cv'S: 1/2": 0.23, 0.46, 0.87, 1.8, 3.3, 5.4
 3/4": 0.55, 1.1, 2.2, 4.0, 6.7
 1": 2.3, 5.4, 9.2, 20
 1-1/4": 5.5, 9.8, 20, 24
 1-1/2": 14, 19, 44
 2": 13, 34, 56
- Ball Valve Combination for Manual Balancing w/ Memory Stop

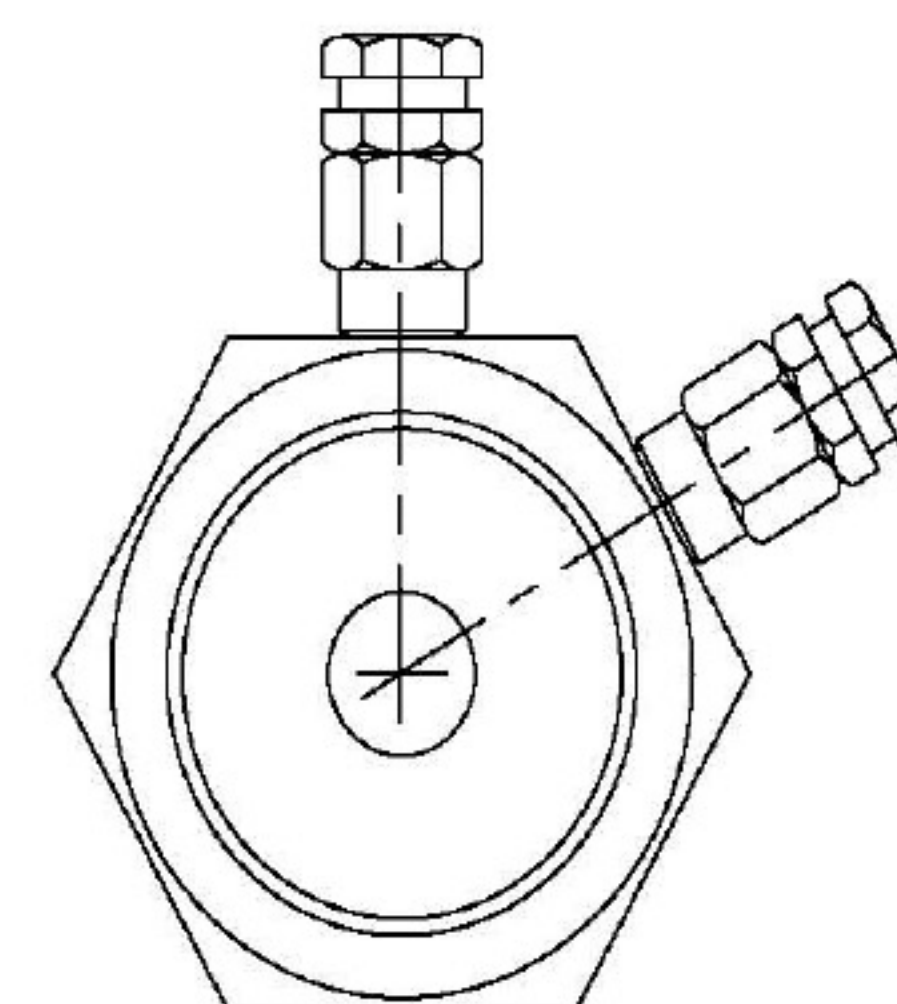
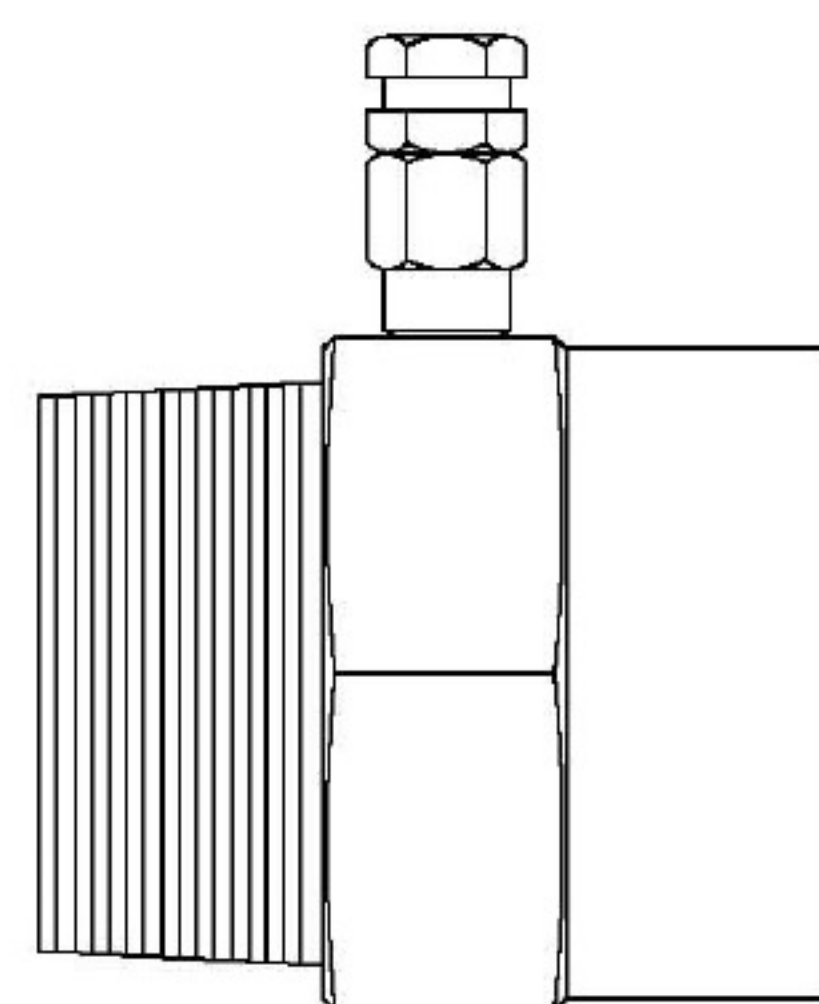
Options:

- Stainless Steel Tag-Chain Upon Request

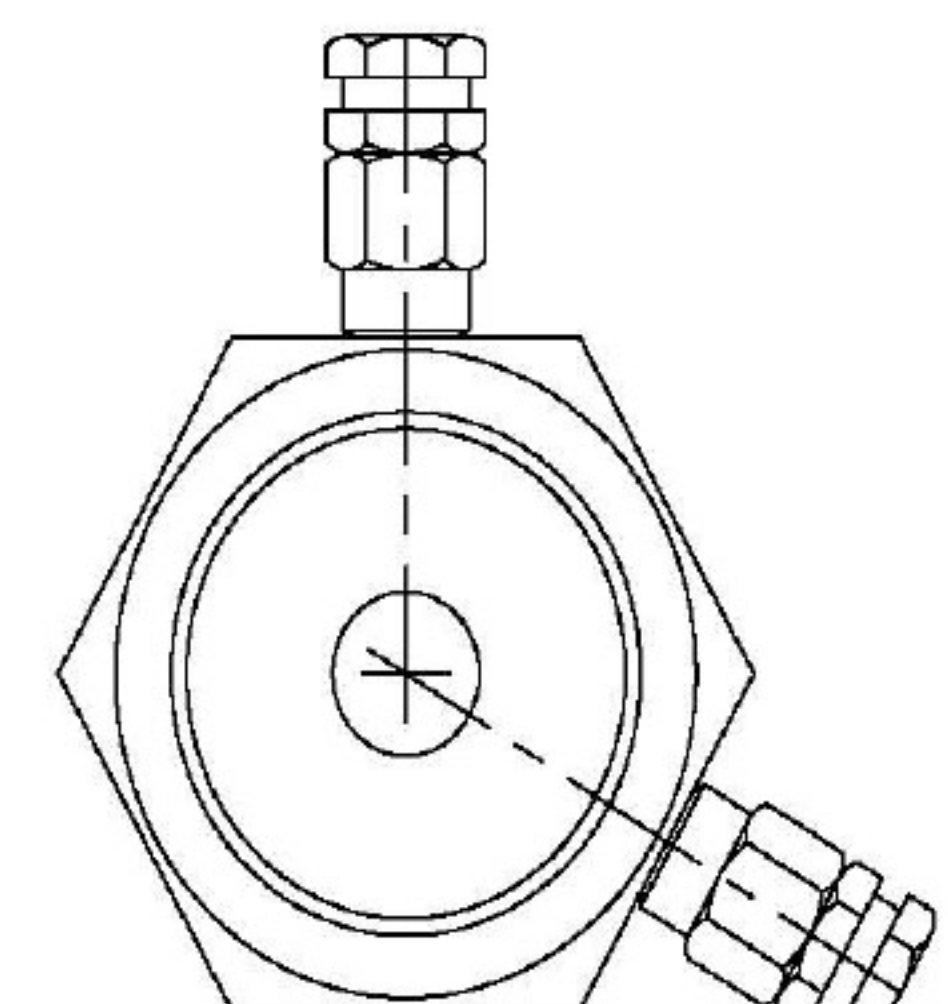
Material Specifications:	
Mesurmeter™ Body	Brass
Ball Valve Body	Brass
Ball	Chrome Plated Brass
Stem	Nickel Plated Brass
Handle	Dichromate Coated Steel w/PVC Grip
Pressure/Temperature Ports	Brass



Flow Direction ←



Typical 1" & larger Mesurmeters



Typical 1/2" & 3/4" Mesurmeters

Dimensions: Includes Ball Valve & Mesurmeter™ Device assembled as pictured		
Overall Length	IN	MM
1/2"	3.68	93.5
3/4"	3.95	100
1"	4.74	120
1-1/4"	5.69	145
1-1/2"	6.31	160
2"	7.79	198