

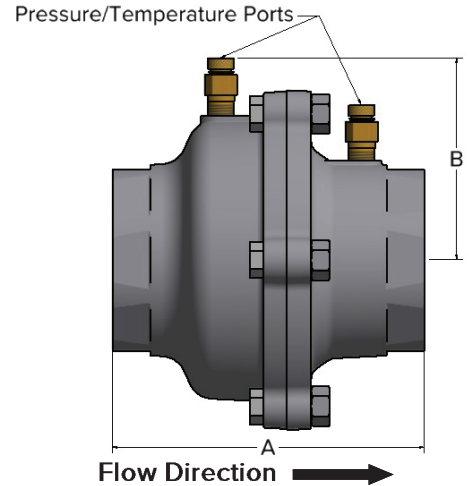


Model: Mesurflo® 2535

Sizes: 2" and 2-1/2"

GPM: 9.0 - 100.0

Type: Inline Automatic Balancing Valve



Standard Features:

- FNPT Inlet/Outlet Connections
- 1 GPM Increments
- Changeable GPM Flow Cartridges
- Differential Operating Pressure
3 - 80 PSID 9.0 - 17.0 GPM
5 - 80 PSID 18.0 - 100.0 GPM
- ± 10% Accuracy
- Operating Temperature Range 32°F to 225°F
- 1/4" Pressure/Temperature Ports
- Valves Labeled with Model Number, Size and Flow Rate
- Dryseal Pipe Threads
- Valve Body Suitable for 400 PSIG

Options:

- Extended Pressure/Temperature Ports
- Pressure Taps
- Stainless Steel Tag-Chain Upon Request

Material Specifications	
Valve Body	Gray Iron
Pressure/Temperature Ports	Brass
O-Rings	EPDM
Retainer Cage	Stainless Steel
Diaphragm	EPDM
Orifice	Polyphenylsulfone
Orifice Holder	Brass
Plug	Brass
Center Plate	Carbon Steel

Dimensions			
A		B	
in	mm	in	mm
6.2	157.5	4.0	101.6