

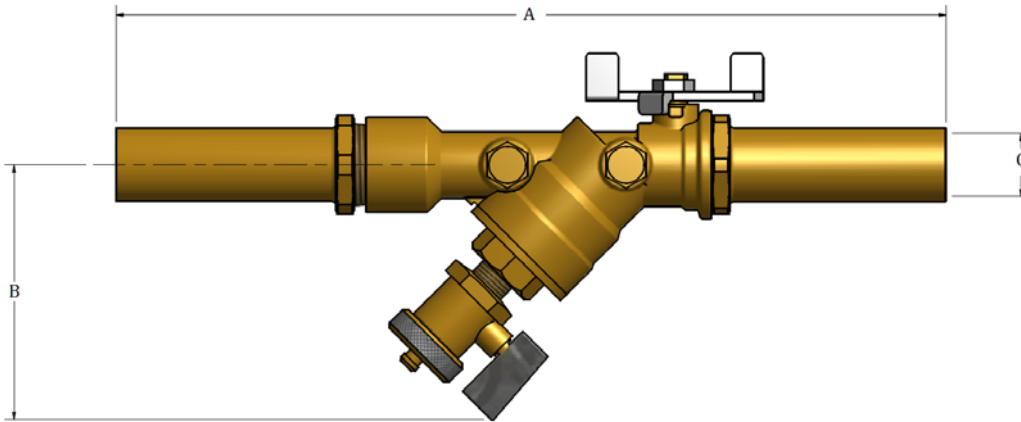


Name: Y-Ball Strainer Low Temperature

Sizes: 1/2", 3/4" & 1"

Type: Y-Ball Strainer

Model: 2406LT



Standard Features Include:

- ⇒ 1/2", 3/4" & 1" FSWT Inlet & Outlet Connections with Machined 3" End Brass Heat Dissipating Extension
- ⇒ Nominal Working Pressure: 600 WOG
- ⇒ Working Temperature: -4°F (-20°C) ≤ t ≤ 230°F (110°C)
- ⇒ Blowdown Valve w/ Hose Connector
- ⇒ 2 Pressure/Temperature Ports (1/4")
- ⇒ Short Handle
- ⇒ Strainer Screen Stainless Steel / 20 Mesh
- ⇒ Strainer Labeled with Model No., Size

Material Specifications:

- ⇒ Valve Body - Brass
- ⇒ Union Nut - Brass
- ⇒ Tailpiece - Brass
- ⇒ Pressure/Temperature Ports - Brass
- ⇒ O-Rings - EPDM
- ⇒ Strainer - Stainless Steel
- ⇒ Ball - Brass
- ⇒ Stem - Brass
- ⇒ Handle - Steel
- ⇒ Screw - Steel
- ⇒ Seat Material - PTFE

Dimensions	A	B	C
1/2"	11.3	3.6	0.63
3/4"	11.5	3.5	0.88
1"	11.3	3.5	1.13