



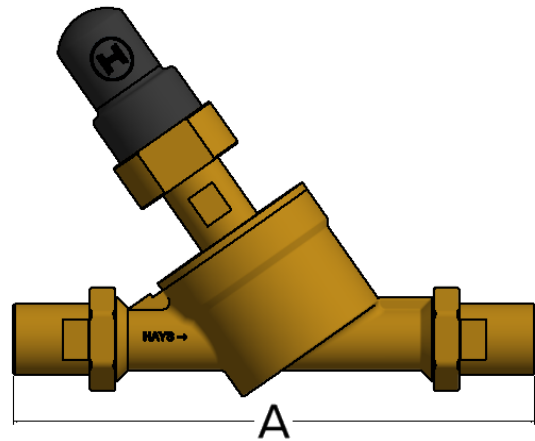
Brand: SimpleSet®

Model: Adjustable Automatic Balancing Valve

Sizes: 1/2" and 3/4"

GPM: 1.0-9.0 GPM

Type: Y-Body



Flow Direction →

Standard Features:

- FSWT, FNPT or MNPT Inlet & Outlet Connections
- Swivel connections on both inlet and outlet (exception: 3/4" FNPT Fixed)
- Adjustable GPM Flow Cartridges
Flow range: 1.0-3.0 GPM
Flow range: 3.0-5.0 GPM
Flow range: 5.0-9.0 GPM
- Differential Operating Pressure: 5 - 80 PSID
- Flow Tolerance: ± 10% Accuracy
- Operating Temperature Range 32°F to 225°F
- All valves labeled with model number, size and adjustable flow range
- Valve Body Suitable for 600 PSIG
- Default selection with no pressure and temperature ports

Options:

- Pressure/Temperature

Material Specifications	
Valve Body	Brass
End Cap	Brass
Union Nut	Brass
Union end fitting	Brass
O-Rings	EPDM
Diaphragm	EPDM
Holder, Orifice, and Diaphragm Snaps	Polyphenylsulfone
Nut	Steel
Stem	Stainless Steel
Cap	Plastic

Dimension A, (Overall height is 5.8" approx.)						
INLET/OUTLET	1/2" FNPT	1/2" FSWT	1/2" MNPT	3/4" FNPT	3/4" FSWT	3/4" MNPT
1/2" FNPT	7.8"	7.1"	7.7"	7.4"	7.4"	7.8"
1/2" FSWT	7.1"	6.4"	7.0"	6.7"	6.7"	7.7"
1/2" MNPT	7.7"	7.0"	7.5"	7.2"	7.2"	7.7"
3/4" FNPT	7.4"	6.7"	7.2"	6.9"	6.9"	7.4"
3/4" FSWT	7.3"	6.7"	7.2"	6.9"	6.9"	7.3"
3/4" MNPT	7.8"	7.1"	7.7"	7.3"	7.3"	7.8"