



**Name: Mesurflo® Stainless Steel Automatic Balancing Valves**

**Sizes: 1-1/2" & 2"**

**GPM: 26.0 - 75.0**

**Type: Automatic Balancing Valve**

**Model: 2539SS**

**Standard Features Include:**

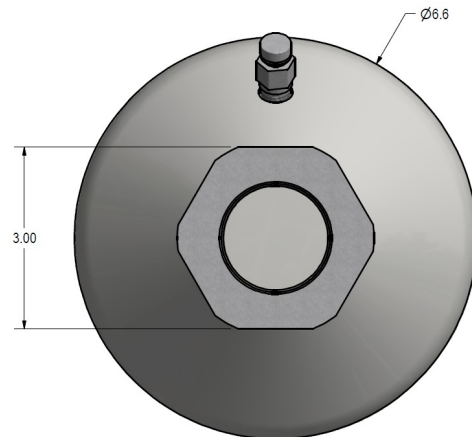
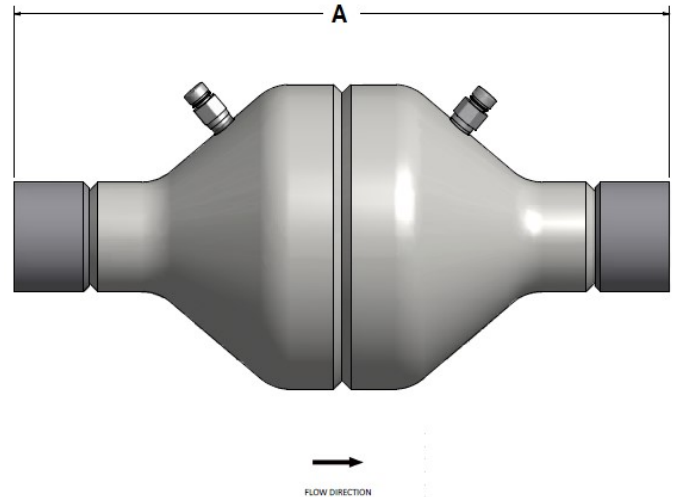
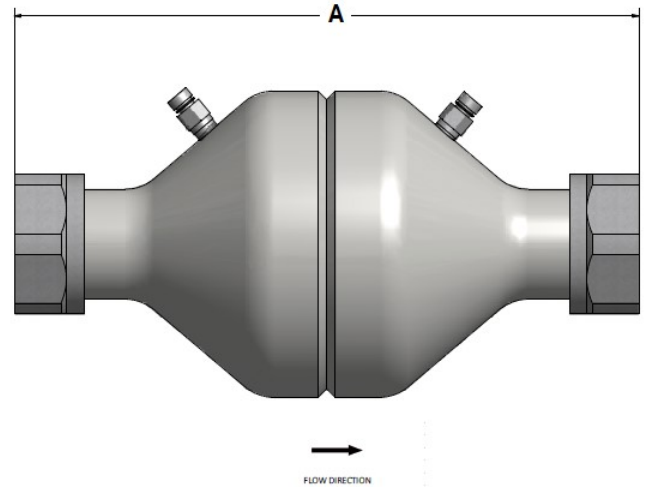
- ⇒ FNPT & FSWT Inlet & Outlet Connections
- ⇒ 1-1/2" (26-50 GPM), 2" (26-75 GPM)
- ⇒ Consult Factory for Additional Flow Rates
- ⇒ Flow Cartridges Not Changeable
- ⇒ Differential Operating Pressure: 5-80 PSID
- ⇒ ± 10% Accuracy
- ⇒ Operating Temperature Range 32° to 225°F
- ⇒ 1/4" Pressure / Temperature Ports
- ⇒ Valves Labeled with Model No., Size & Flow Rate
- ⇒ Limited Lifetime Warranty
- ⇒ Valve Body Rated for 400 PSIG
- ⇒ Limited Lifetime Warranty

**Options:**

- ⇒ Extended Pressure/Temperature Ports
- ⇒ Stainless Steel Tag-Chain

**Material Specifications:**

- ⇒ Valve Body - 316 Stainless Steel
- ⇒ Tailpiece - 316 Stainless Steel
- ⇒ Retainer Cage - 316 Stainless Steel
- ⇒ Diaphragm - EPDM
- ⇒ Orifice - Polyphenylsulfone
- ⇒ Orifice Holder - 316 Stainless Steel
- ⇒ Center Plate - 316 Stainless Steel
- ⇒ Pressure Temperature Ports - 316 Stainless Steel



Size	Dim A	Connection
1-1/2"	13.5	FNPT x FNPT
2"	13.5	
1-1/2"	13.3	FSWT x FSWT
2"	14.3	