



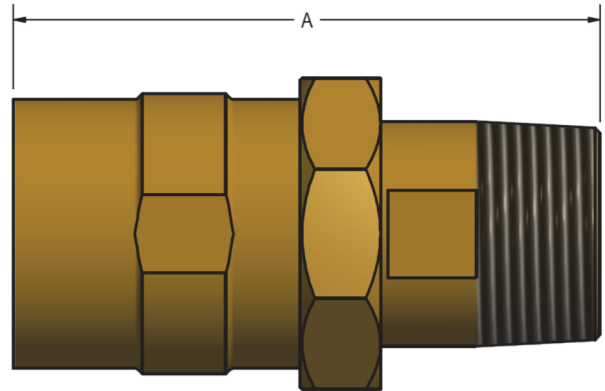
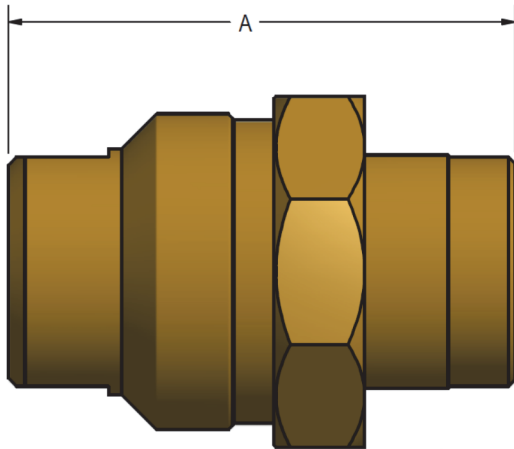
**Name: Mesurflo® Bronze Automatic Balancing Valves**

**Sizes: 3/4", 1", 1-1/4" & 1-1/2"**

**GPM: 9.00 - 25.0**

**Type: Automatic Balancing Valve**

**Model: 2323**



→ Flow Direction

**Standard Features Include:**

- ⇒ 3/4"-1" FNPT Inlet & Outlet Connections
- ⇒ 1-1/4"-1-1/2" FNPT Inlet & MNPT Outlet Connections
- ⇒ Changeable GPM Flow Cartridges
- ⇒ Differential Operating Pressure:
  - 9.00 - 17.0 GPM (4-80 PSID)
  - 18.0 - 25.0 GPM (5-80 PSID)
- ⇒ ± 10% Accuracy
- ⇒ Operating Temperature Range 32° to 225°F
- ⇒ Dryseal Pipe Threads
- ⇒ Valves Labeled with Model No., Size & Flow Rate
- ⇒ Valve Body Rated for 600 PSIG
- ⇒ Limited Lifetime Warranty

**Material Specifications:**

- ⇒ Valve Body - Bronze UNS C83600
- ⇒ Union Nut - Bronze UNS C37700
- ⇒ Tailpiece - Bronze UNS C83600
- ⇒ O-Rings - EPDM
- ⇒ Diaphragm - EPDM
- ⇒ Orifice - Polyphenylsulfone
- ⇒ Retainer 316SS

Size	Dim A	Connection
3/4", 1"	3.8	FNPT x FNPT
1-1/4", 1-1/2"	5.0	FNPT x MNPT

**Options:**

- ⇒ Stainless Steel Tag-Chain

**Available Flow Rates:**

- ⇒ 9.00, 10.0, 11.0, 12.0, 13.0, 14.0, 15.0, 16.0, 17.0, 18.0, 19.0, 20.0, 21.0, 22.0, 23.0, 24.0, 25.0

