



Type: Manual

Configuration: 3 Way-Hard Pipe

Size: 1/2"

GPM Flow Range: 0.20 - 12.1 (0.50-5.0 PSID)

Control Valve Type: Spring Return, Modulating or Floating

Standard Features:

- Venturi Style Manual Balance Valve with Memory Stop and Pressure/Temperature Ports
- FSWT Coil Fittings with Pressure/Temperature Ports
- Short Handle Shown (Available in 1/2"-1" Only)
- Y-Ball Strainer with Pressure/Temperature Port & Blowdown Valve w/Hose Connector
- Bypass Ball Valve w/Memory Stop & (2) FSWT Adapters
- Cv's: 0.23, 0.46, 0.87, 1.80, 3.30, 5.40
- Package Shrink Wrapped on Skin Board *

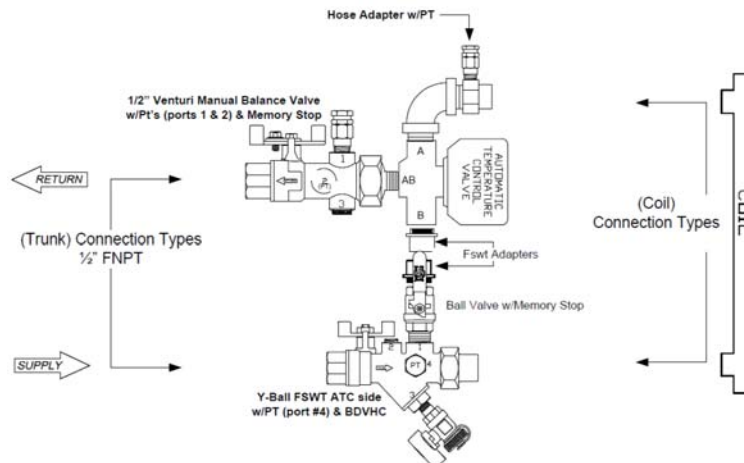
Options:

- Manual Air Vent on Return Side Coil Connection
- Extended Pressure/Temperature Ports
- Lever or Extended Lever Handles
- Customer Supplied -Hays Installed ATC (Additional Charge) or Customer Supplied-Field Installed ATC
- **Hays Supplied & Installed ATC :**
 - 1) 2-Wire 24v, Normally Open-Normally Close
 - 2) 2-Wire 120v, Normally Open-Normally Close
 - 3) Modulating or Floating Control

Max. ATC Flow (MAF) ^a : Calculated using valve Cv @ ΔP of 9		
On/Off-Spring Return: (PSI=Close off Pressure)		
Size	Max GPM	PSI
1/2"	12	20

^a Max ATC Flow Data (MAF) is the maximum operable GPM of the Automatic Temperature Control Valve. If no MAF data is listed, the ATC is operable across the full range of the balancing valve.

Max. Recommended Flow (MRF): Calculated @ 7 ft/sec.	
Size	GPM
1/2"	4
Noise Sensitive Applications (NSA) Calculated @ 4 ft/sec.	
Size	GPM
1/2"	3



* Hard Pipe & Flexible Packages up to 3/4" and Flex Packages using hose lengths up to 24" will be shrink wrapped on skin board. Other sizes are too large and heavy for the board.