



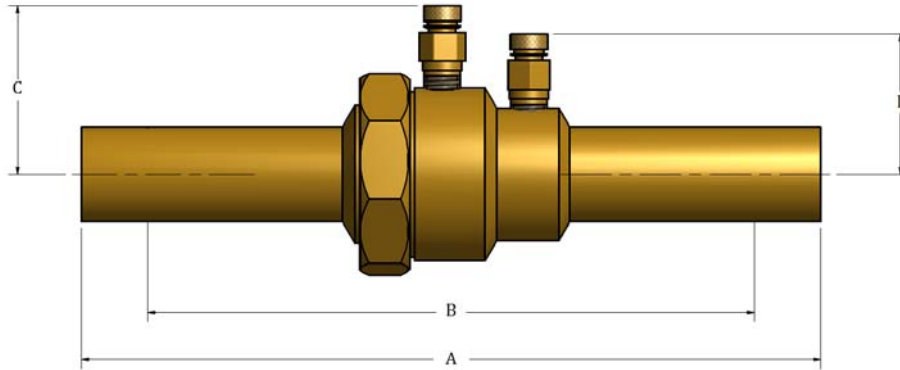
Name: Mesurflo Low Temperature

Sizes: 3/4" & 1"

GPM: 10.0 - 28.0

Type: Automatic Balancing Valve

Model: 2520LT



The "**Gold Standard**" for controlling flow specifically designed for glycol systems operating at temperatures as low as 15°F, for supermarket display cases and walk-in coolers.

Hays' patented Mesurflo® automatic flow control valves have been called the "Gold Standard" because their unique features and benefits make them the ideal solution for controlling flow in Glycol cooling systems. Unlike other control valves which can be noisy and clog easily, Mesurflo® offers you these significant benefits:

- ⇒ Eliminates the high cost of testing and balancing
- ⇒ Additional display cases may be added without affecting the system balance
- ⇒ Accuracy provides 99.8% heat transfer
- ⇒ Eliminates oscillation, vibration, noise and feed-back in the system
- ⇒ Non-clogging design that can be back-washed for easy cleaning
- ⇒ Maintains proper flow rate for high efficiency of the coil
- ⇒ Reduces the number of valves required to balance the system

Standard Features Include:

- ⇒ 3/4" & 1" FSWT Inlet & Outlet Connections with Machined 3" Brass Heat Dissipating Extensions
- ⇒ Changeable GPM Flow Cartridges
- ⇒ Differential Operating Pressure:
2520LT: 2-35 PSID 10.0 - 17.0 GPM
2520LT: 3-35 PSID 18.0 - 28.0 GPM
- ⇒ ± 10% Accuracy
- ⇒ Operating Temperature Range 15° to 40°F
- ⇒ 1/4" Pressure / Temperature Ports
- ⇒ Valves Labeled with Model No., Size & Flow Rate
- ⇒ Valve Body Suitable for 600 PSIG
- ⇒ Limited Lifetime Warranty

Material Specifications:

- ⇒ Valve Body - Brass
- ⇒ Union Nut - Brass
- ⇒ Tailpiece - Brass
- ⇒ Pressure/Temperature Ports - Brass
- ⇒ O-Rings - EPDM
- ⇒ Diaphragm - EPDM
- ⇒ Orifice - Polyphenylsulfone
- ⇒ Retainer Ring - Stainless Steel

Dimensions	A	B	C	D	E
3/4"	10.1	8.6	2.3	1.9	0.88
1"	10.1	8.3	2.3	1.9	N/A