



**Worth It's Weight in Gold!!!!
Choose the Gold Standard.**

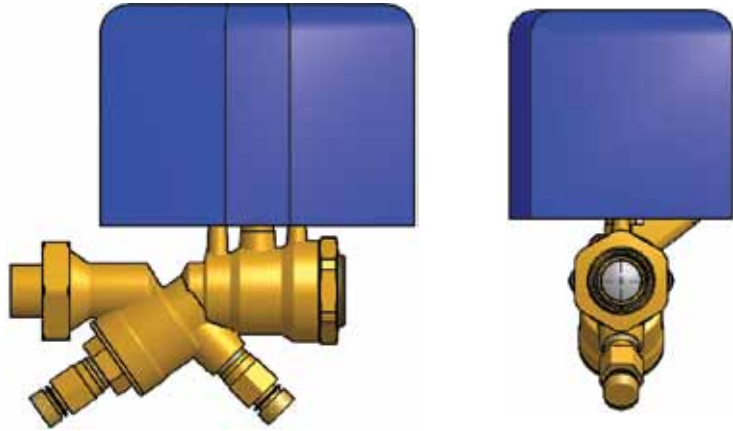
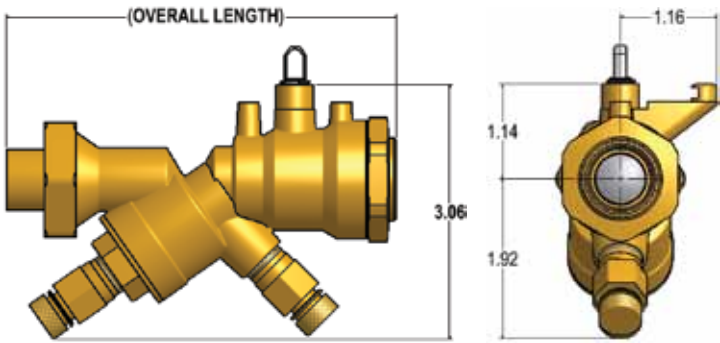


Model#: 2529



**Miniature Y-Ball
Manual Balance Valve
Utilizing
Schneider® / Erie®
PopTop Actuator**

Schneider® / Erie® Actuators



2 Position On/Off Spring Return

Manual Valve Specifications:

- FNPT, FSWT, MSWT and MNPT Outlet / Inlet Connections
- 3/4" Union Ends Non Swivel
- Preset Non-Removable Venturi Inserts
- Cv's: 1/2": 0.23, 0.46, 0.87, 1.6, 3.0, 5.4
3/4": 0.23, 0.46, 0.87, 1.6, 3.0, 5.4
- Operating Temperature Range 32°F to 225° F
- 1/4" Pressure / Temperature Ports
- Valves Labeled with Model No., Size & Flow Rate
- Inlet and Outlet Port Options
- Dryseal Pipe Threads
- Weighs between 1.2 - 1.5 lbs. without the actuator^a
- Valve Body Suitable for 600 PSIG
- Cycle Life of Ball Valve Greater than 100,000 Full Cycles
- Torque Less Than 10 in. lbs. @ 300 PSID
- ANSI Class V Seat Leakage

Manual Valve Options:

- Plugged (Ports Machined w/1/4" Plug)
- Pressure Taps
- Extended Pressure / Temperature Ports
- Stainless Steel Tag-Chain Upon Request

Actuator Specifications:

- Voltage - 24Vac + 25%, -15% @ 50/60 Hz
- Manual Operating Lever/Position Indicator - Standard on all models
- Control Signal - 2-Position
- Materials - Blue Thermoplastic base and cover.
- Approved for use in air plenums.
- Shipping & Storage Temperature Limit -40 to 160° F (-40 to 71° C)
- Operating Temperature Limit at max fluid temp.
 - Two Position - 32 to 169°F (0 to 76°C)
- Humidity - 5 to 95% relative humidity, non-condensing
- Location - NEMA 2, IEC IP31