

The background of the advertisement is filled with numerous gold bars of various sizes, some stacked and some scattered, creating a sense of wealth and high quality.

Mesurflo®

Worth It's Weight in Gold!!!!
Choose the Gold Standard.

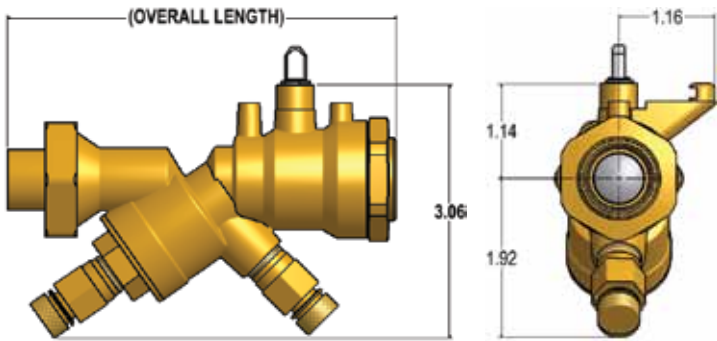


Model#: 2528

**Miniature Y-Ball
Automatic Balance Valve
Utilizing
Schneider® / Erie®
PopTop Actuator**



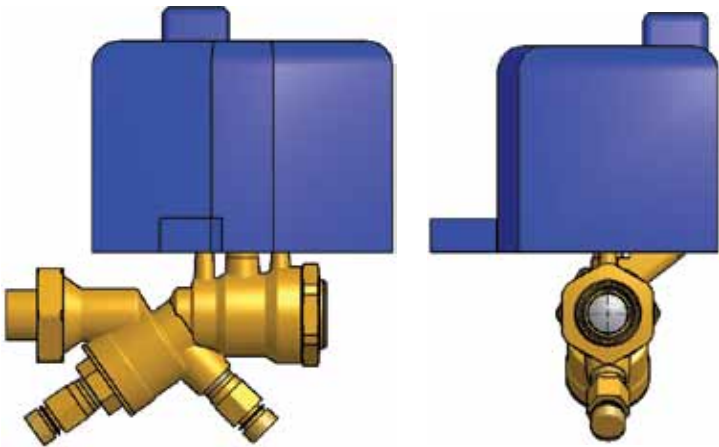
Schneider® / Erie® Actuators



2 Position On/Off Spring Return

Actuator Specifications:

- Voltage - 24Vac + 25%, -15% @ 50/60 Hz
- Manual Operating Lever/Position Indicator - Standard on all models
- Control Signal - 2-Position
- Materials - Blue Thermoplastic base and cover.
- Approved for use in air plenums.
- Shipping & Storage Temperature Limit -40 to 160° F (-40 to 71° C)
- Operating Temperature Limit at max fluid temp.
 - Two Position - 32 to 169°F (0 to 76°C)
- Humidity - 5 to 95% relative humidity, non-condensing
- Location - NEMA 2, IEC IP31



Mesurflo® Valve Specifications:

- FNPT, FSWT, MSWT and MNPT Outlet / Inlet Connections
- 3/4" Union Ends Non Swivel
- Changeable GPM Flow Cartridges
- Differential Operating Pressure ¹
- ± 10% Accuracy
- Operating Temperature Range 32°F to 225° F
- 1/4" Pressure / Temperature Ports
- Valves Labeled with Model No., Size & Flow Rate
- Inlet and Outlet Port Options
- Dryseal Pipe Threads
- Weighs between 1.2 - 1.5 lbs. without the actuator^a
- Valve Body Suitable for 600 PSIG
- Cycle Life of Ball Valve Greater than 100,000 Full Cycles
- Torque Less Than 10 in. lbs. @ 300 PSID
- ANSI Class V Seat Leakage

Mesurflo® Valve Options:

- Plugged (Ports Machined w/1/4" Plug)
- Pressure Taps
- Extended Pressure / Temperature Ports
- Stainless Steel Tag-Chain Upon Request

1. At low differential pressure the flow area required to achieve higher flow can exceed the flow area available for the respective series. Therefore, the minimum pressure differential requirement is increased for the higher flow ranges of each series Mesurflo valve.



Proportional or Floating Spring Returned



Proportional or Floating Non- Spring Returned

Actuator Specifications:

- Voltage - 24Vac + 25%, -15% @ 50/60 Hz
- Manual Operating Lever/Position Indicator - Standard on all models
- Control Signal - Floating or Proportional; Half wave rectified power supply
- Materials - Blue Thermoplastic base and cover
- Approved for use in air plenums.
- Shipping & Storage Temperature Limit -40 to 160° F (-40 to 71° C)
- Operating Temperature Limit at max fluid temp.
 - Floating - 32 to 140°F (0 to 60°C)
 - Proportional - 32 to 140°F (0 to 60°C)
- Humidity - 5 to 95% relative humidity, non-condensing
- Location - NEMA 2, IEC IP31