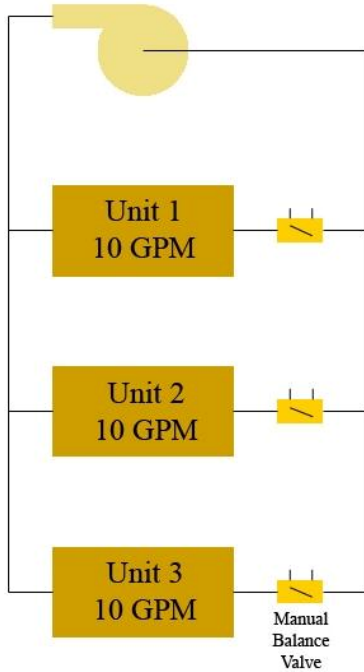




NO BALANCING	
UNIT 1	16.15 GPM
UNIT 2	8.11 GPM
UNIT 3	5.74 GPM

MANUAL BALANCING	
UNIT 1	10 GPM
UNIT 2	10 GPM
UNIT 3	10 GPM



UNIT 1 TURNED OFF

MANUAL BALANCING	
UNIT 1	0 GPM
UNIT 2	15.55 GPM
UNIT 3	15.7 GPM

MESURFLO	
UNIT 1	0 GPM
UNIT 2	10 GPM
UNIT 3	10 GPM

100'

100'

EXCESS FLOW
11.25 GPM
EXCESS PUMPING POWER

WASTED PUMP POWER
330 W

RUN TIME
1000 HOURS

WASTED ENERGY
330 kWh

REDUCED ENERGY BILL BY \$25 IN THIS CASE

OVERALL 33 % REDUCTION IN ENERGY CONSUMPTION BY USING MESURFLO